

TECHNICAL RIDER

Danubia - Miroir des eaux

Theatre / Multimedia installation

Audience for all public: 50 persons

Audience for school public: 60 persons

Writing, directing and acting: Ramona Poenaru et Gaël Chaillat

Scenography : Olivier Benoit

Sound creation : Étienne Haan

Video creation: Ramona Poenaru et Lou Zimmer

Creative direction: Philippe Lux

With : Ramona Poenaru et Gaël Chaillat

And : Stage manager : Yann Argenté

Sound manager: Étienne Haan

Light and video manager: Lou Zimmer

Art Direction: Gael Chaillat

+33 (0)6 64 19 56 20 – deschateauxenlair@gmail.com

Production/Diffusion: Alexia Hagenmuller

+33 (0)6 74 55 48 64 – alexia.hagenmuller@gmail.com

Production : Des châteaux en l'air

Coproductions : Espace 110 – Centre culturel d'Illzach, TJP – CDN Strasbourg Grand Est, Les 2 Scènes – Scène Nationale de Besançon, Le Nouveau Relax – Scène conventionnée de Chaumont, MOMIX – Festival International Jeune Public – Kingersheim, Passages Transfestival - Metz

Supports : Ministère de la culture – DRAC Grand Est, Région Grand Est, Ville de Strasbourg, Réseau Quint'Est, Agence culturelle Grand Est, Fondation pour l'art contemporain Francois Schneider, Université de Haute-Alsace Mulhouse / Laboratoire IRIMAS / SUAC Mulhouse, TEATROSKOP

Creation : at TJP Strasbourg from 24 to 28 November 2021

Duration of performance : 1h00 (excluding cloakroom and public entrance)

Transport

The set will be transported with 14 m³ truck, which will arrive at the beginning of the set up. Please provide access and parking during set up and performances.

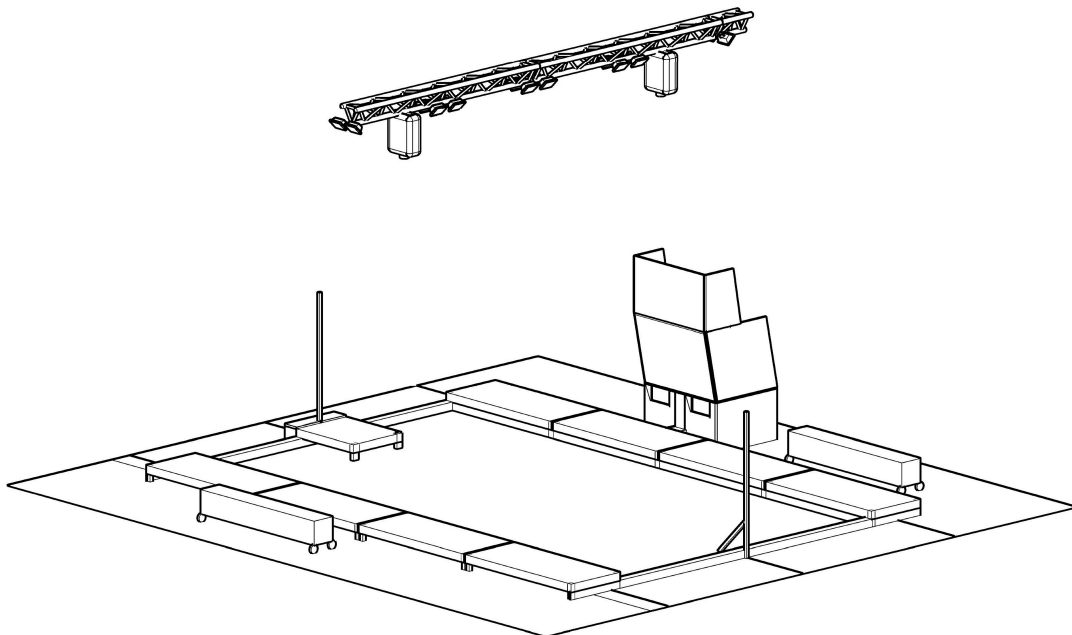
Set up

Please be sure that the stage is empty of all non-playing objects. Front black curtain with closable access and backdrop black curtain, must be set up before we arrive.

The set

- Playing area (mini): 9 x 9,50 m (flat, no slope)
- Height under pipes: 5,50 m (if less please consult us)

The set has been built and fireproofed by Olivier Benoit, builder, and is presented as follows :



- a pool with liner of 4.15 x 7.50 m, height 10 cm, with a dock. We put water in it (about 2 cm high)
- 2 risers of 7.50 x 0.80 m, height 20 cm, on each side of the pool.
- 1 desk room with 2 water tanks (2 x 200 liters).
- 1 triangular 300 trust, length: 6.50 m with video projectors and lights.
- 2 benches on wheels.
- Carpet all around the pool.

STAGE

This show welcomes the audience in the set, in immersion, the audience is barefoot.

It will be necessary to provide a space where the audience can remove their shoes and leave their belongings (bag, coat, etc.), the tier of the theater for example.

The cloakroom space and the stage will be separated by a black curtain, with a closable access.

The area of our desk room must be able to support 500kg/m². (Water tanks)

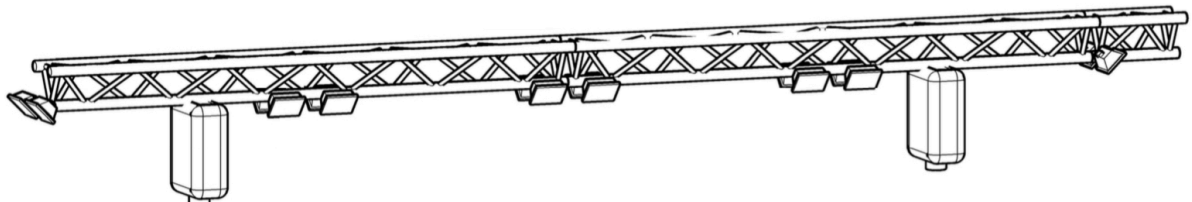
Material provided :

- the set (pool, risers, desk and water tanks).
- the triangular 300 trust with hang-ups.
- a cover sheet for your floor over the entire playing area.
- the carpets.

Material required:

- Black curtain at the back of the stage, black curtain separating the public cloakroom area from the stage area with a reclosable opening.
- Access between the public cloakroom and the stage area (stairs if the stage is high) as well as the equipment necessary for the safety of the public in the stage area (fences if the stage is high, etc.)
- 2 direct 240 V / 16 A power supply for water heating not during the performance (power and cables).
- 1 direct 240 V / 16 A power supply during the performances, in our desk room, via our trust (power and cables).
- 2 hanging points (150 kg), pipes, motors or other. h : 5,50 m.
- Water point (filling of the 2 tanks of 200 l) and evacuation point near the stage (< 20 m).
- Squeegees and water hoover welcome.

LIGHT AND VIDEO



Material provided :

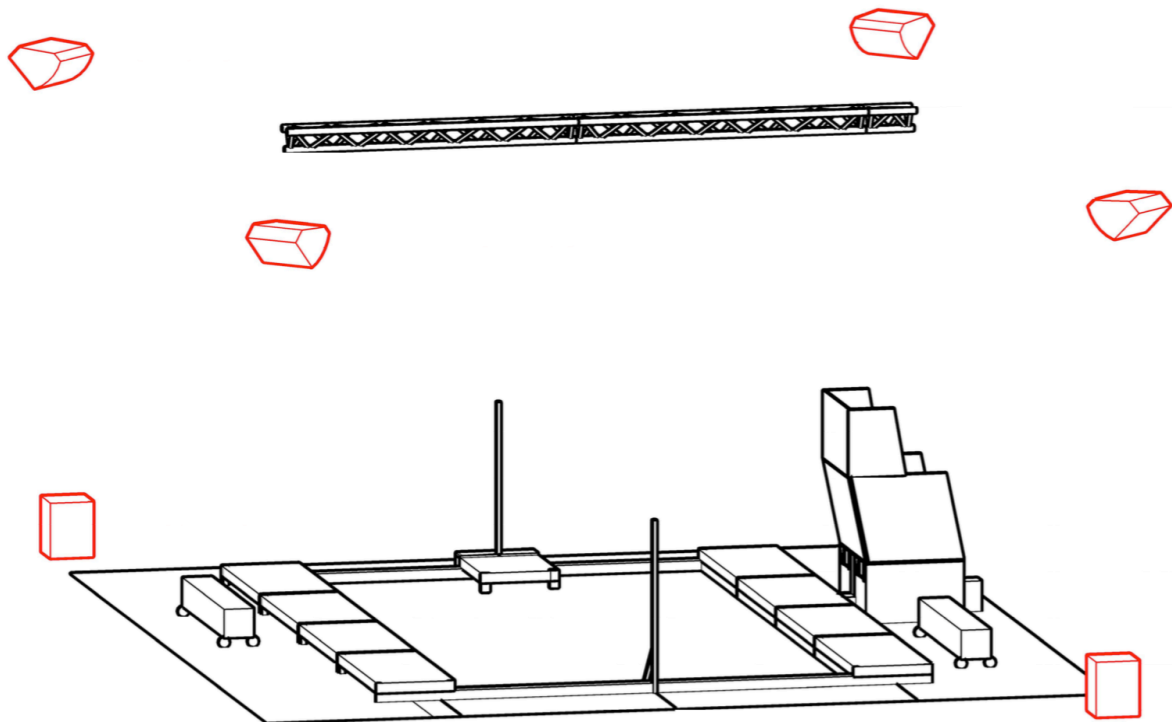
- The entire video system: projectors, cables and video desk (laptop) except for 240 V / 16 A cables.
- The entire lighting system: projectors, dimmers and light desk (laptop) except 240 V / 16 A cables.

LIGHT AND VIDEO (continued)

Material required:

- 16 A cables to connect projectors and video projectors on our trust to our desk.
- 1 direct 240 V / 16 A power supply for the control room, via our bridge (power and cables).
- 1 direct 240 V / 16 A power supply for dimmers on our trust.
- 1 scale h: 5m for adjustments.
- Lighting for the public cloakroom area, dimmable, with DMX connection to our desk room if possible.

SOUND



Material provided :

- Laptop and soundcard.

Material required:

- 4 professional quality speakers type MTD 115 with separate and adapted amplification, installed at the 4 corners of the stage, hanged (h: 4.80 m).
- 2 professional quality subwoofers type SB 115 with separate and adapted amplification.
- 1 compact digital sound desk type Yamaha LS9 which will be placed near the stage.
- 1 multipair 6 between the sound desk and our desk room via our trust.
- 1 AKG 451 type condenser microphone, with small stand.
- Power and microphone cables.

DRESSING / DRESSING ROOMS

Material required:

- Equipment, at our disposal, for the daily maintenance of the costumes:
Washing machine, dryer, ironing board and iron.
- 1 dressing room for 2 actors.
- 1 dressing room for 3 technicians.

PROJECTED STAFFING SCHEDULE

Theoretical performance times (minimum 4.5 hours between each performance / maximum 2 per day).

PREVISIONAL SCHEDULE DANUBIA			stage technician	Light technician	Sound technician
DATE	HORAIRE	DESCRIPTION			
J-1	9.00 - 13.00	Unloading, stage, lighting, video and sound set-up	1	1	1
	14.00 - 18.00	Stage, lighting, video and sound set-up	1	1	1
	18.00-19.00	Sound check			1
	19.00 - 22.00	Light and video focus	1		
J	9.00 - 12.00	rehearsal and setting			
	14.00 - 15.00	performance			
	15.00 - 16.00	cleanup	1		
J+	9.00 - 10.00	setting	1		
	10.00 - 11.00	performance			
	11.00 - 12.00	Cleanup	1		
	14.00 - 15.00	setting	1		
	15.00 - 16.00	performance			
	16.00 - 20.00	Cleanup, strike and loading.	1	1	1

TECHNICAL CONTACTS

Stage manager	Yann Argenté	+33 (0)6 87 10 28 93	yannargente@yahoo.fr
Light and video manager	Lou Zimmer	+33 (0)7 60 94 11 08	pro@louzimmer.fr
Sound manager	Etienne Haan	+33 (0)6 37 60 05 04	etienne.haan@gmail.com